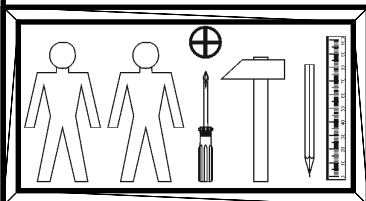
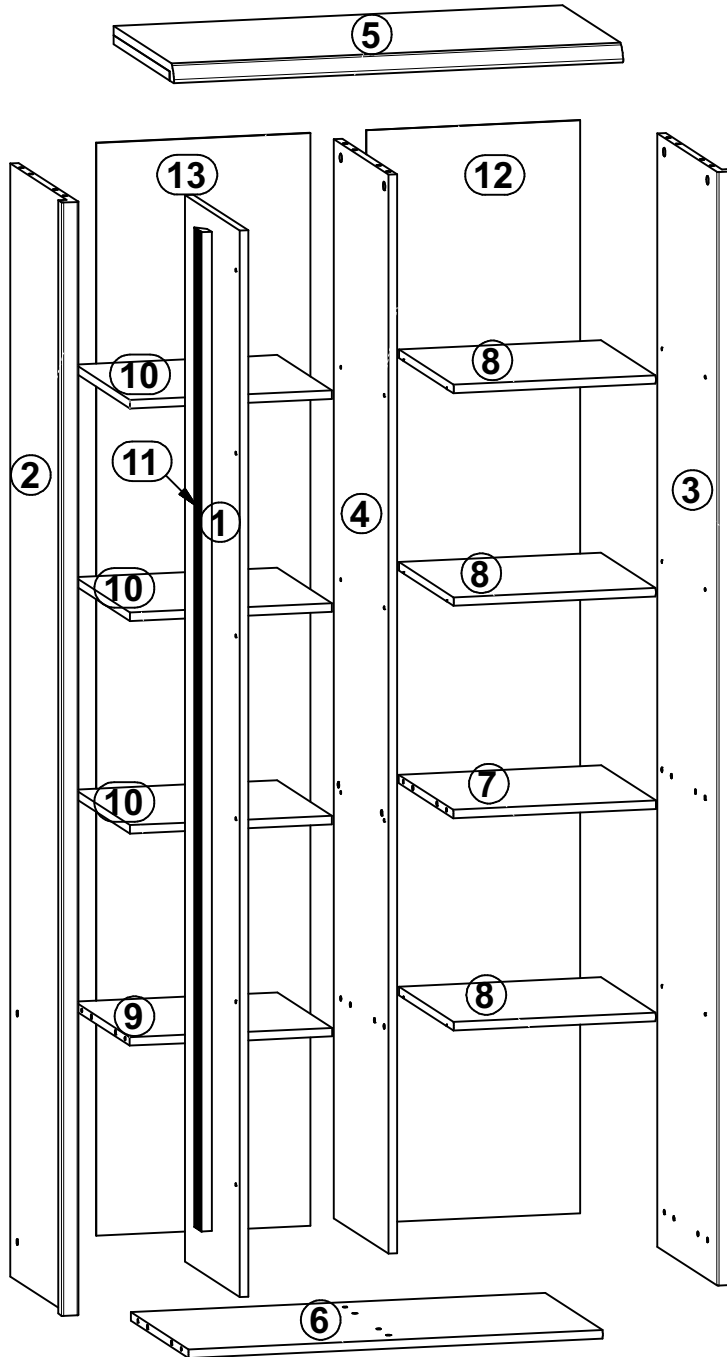
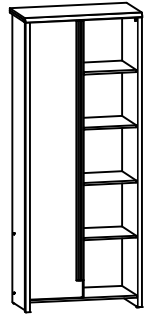


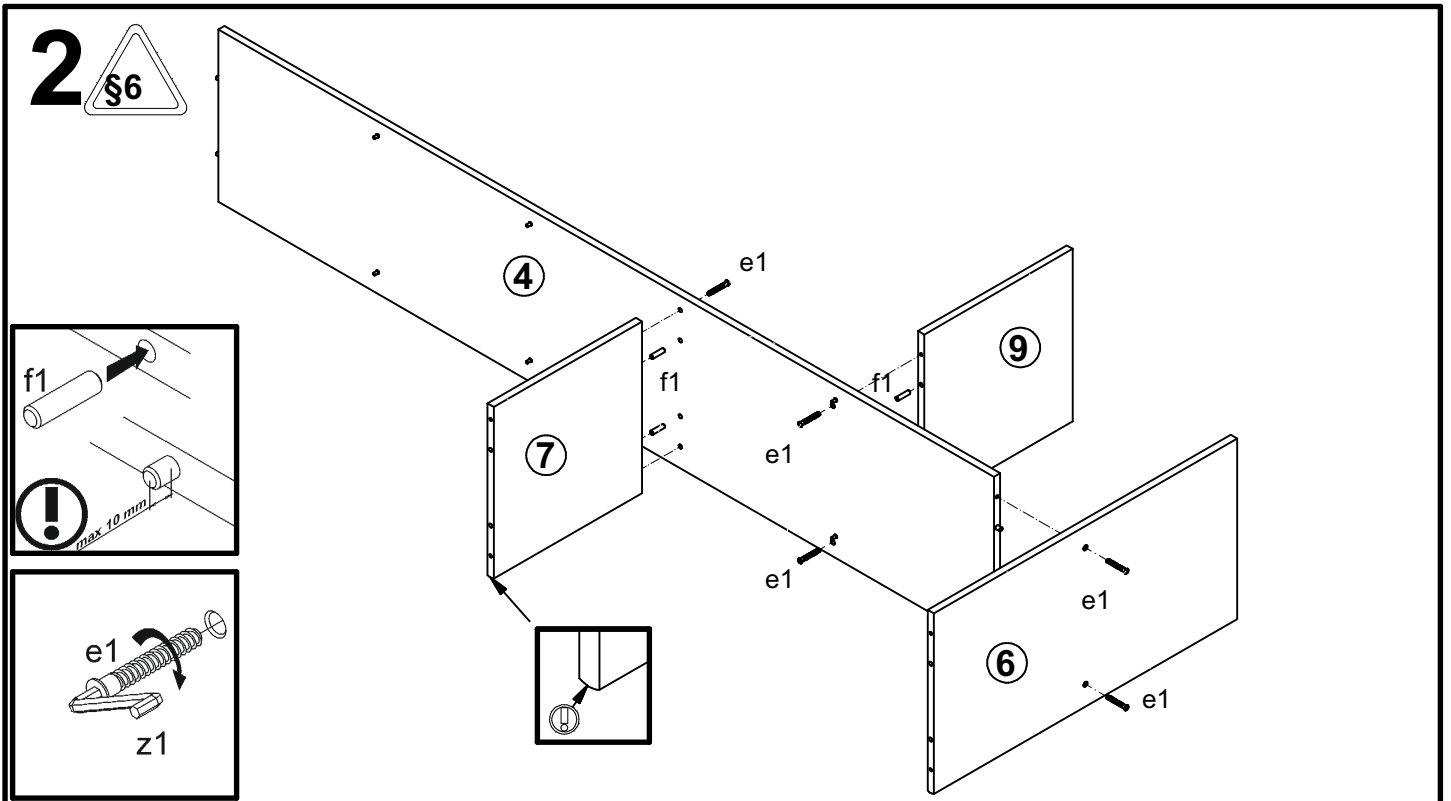
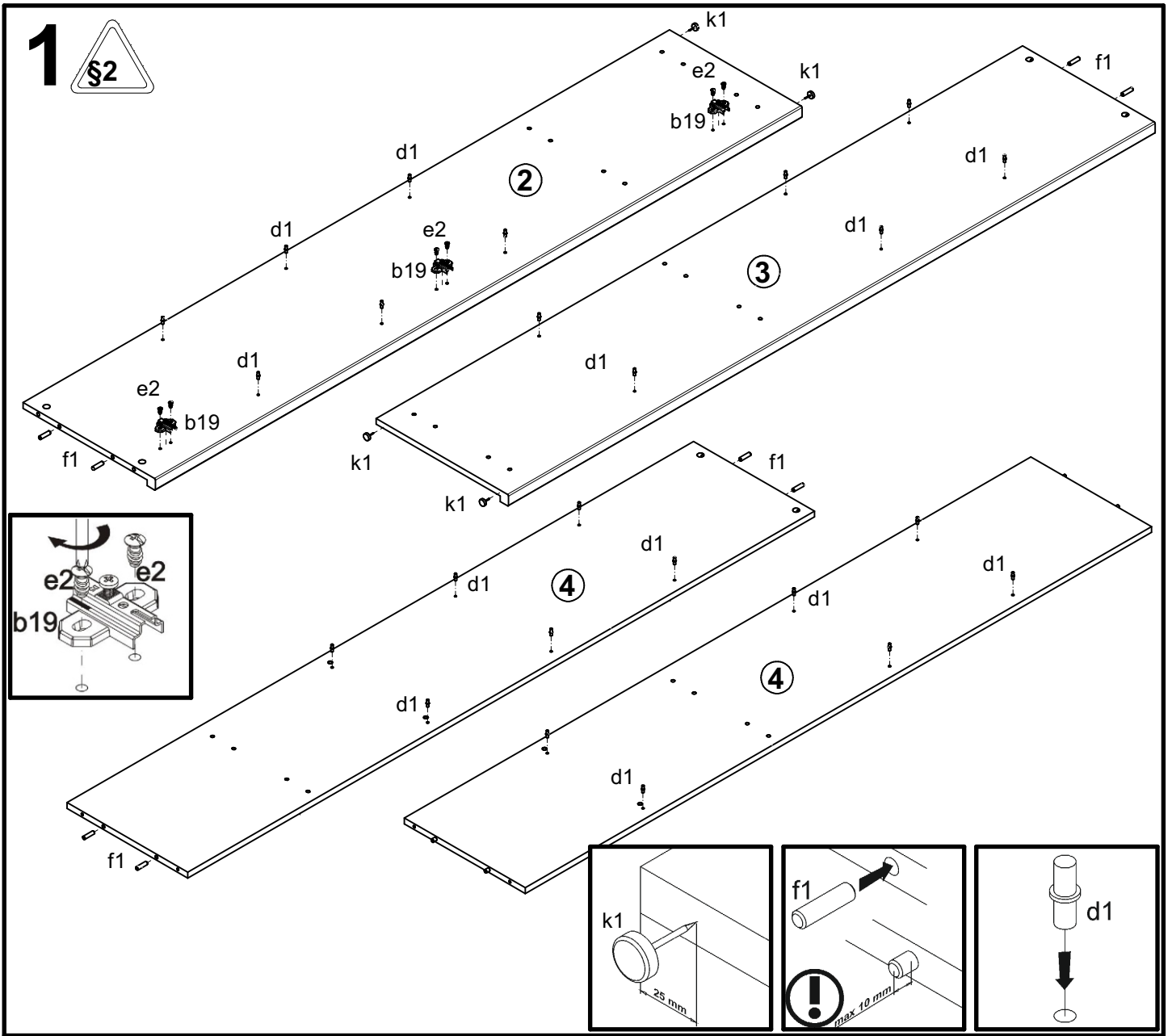
CAPS

S153-REG1D/80

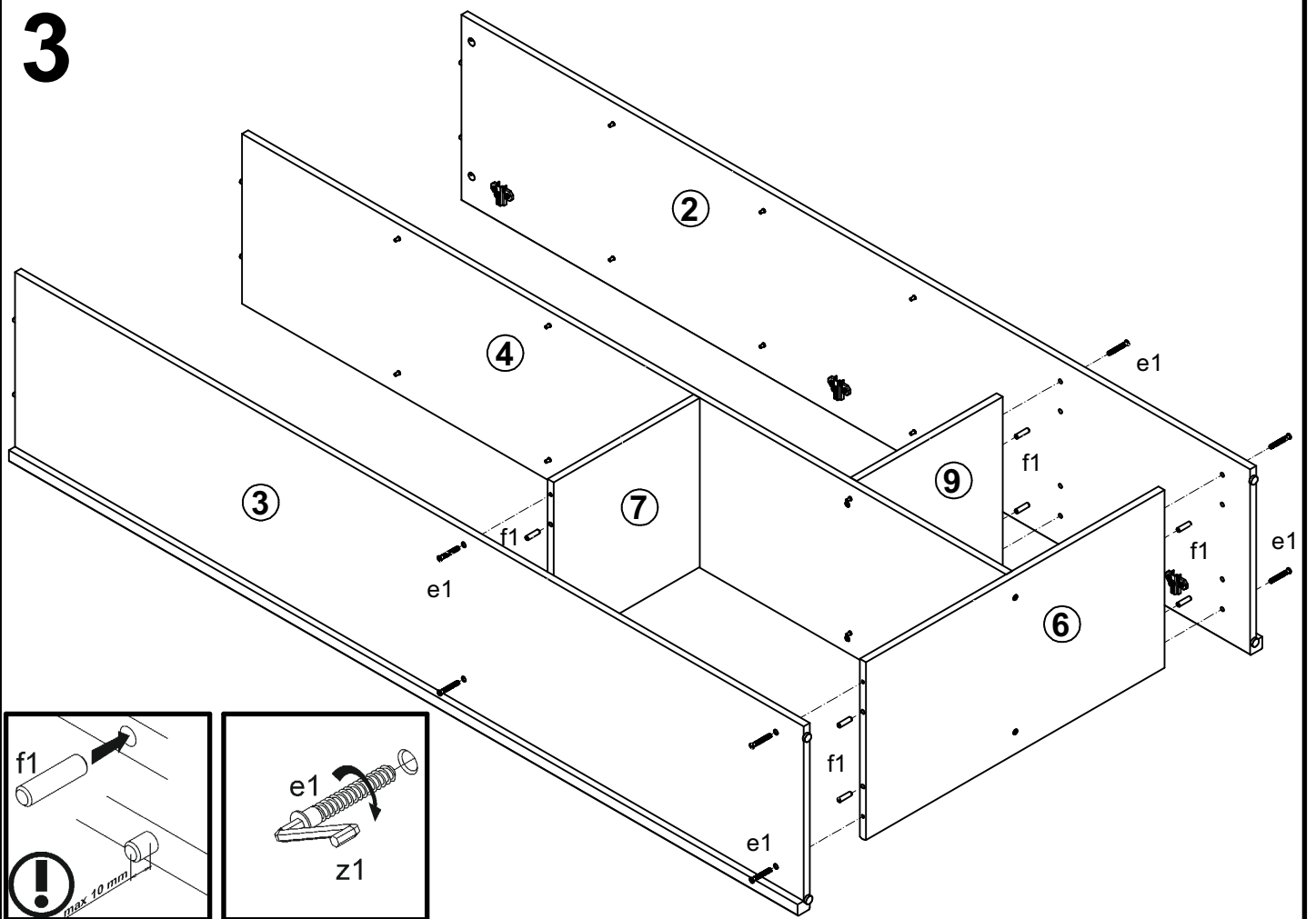
A	B	C	D
1	S153-0009	1866	365
2	S153-1111	1948	399
3	S153-1112	1948	399
4	S153-1113	1888	364
5	S153-2104	804	403
6	S153-3308	738	383
7	S153-3309	361	364
8	S153-3310	360	364
9	S153-3312	361	364
10	S153-3313	360	364
11	S153-577	1748	49
12	S153-909	1912	381
13	S153-9915	1912	381



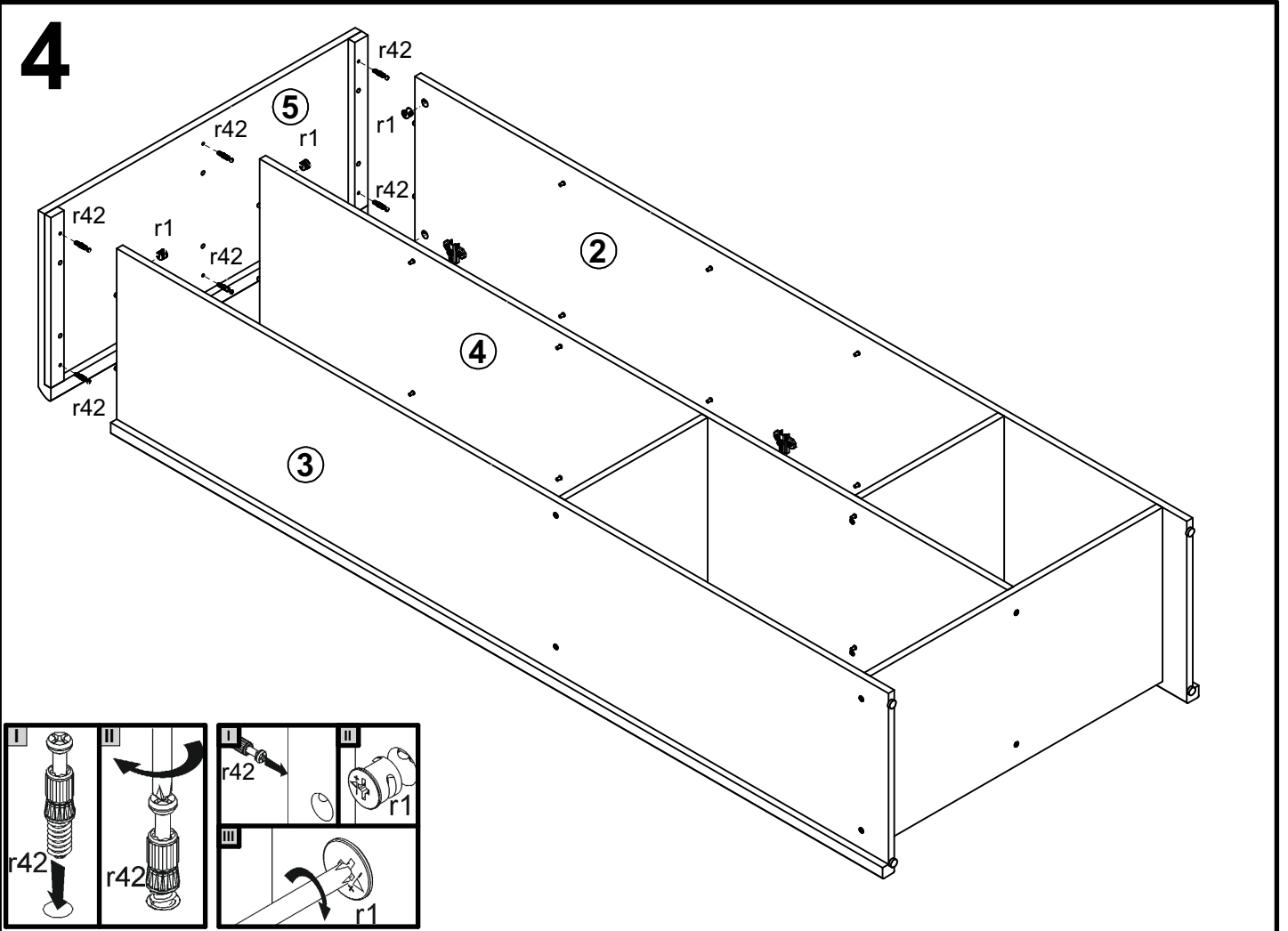
3x a43	3x b19	24x d1 φ5x17 mm	14x e1 φ7x50 mm	6x e2 φ6,3x13 mm	20x f1 φ8x30 mm	4x k1	110x l1	6x p51 φ3,5x15 mm
6x p60 φ4x22 mm	6x r1 φ1,5x12mm #16	6x r42	1x z1	1x n2611	1x p38 φ3,5x16 mm	8x s1	6x s2 ø16	



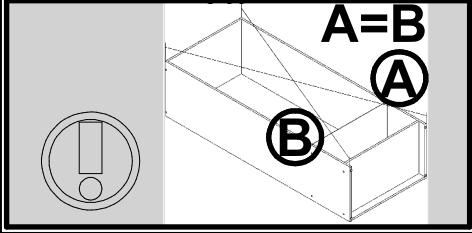
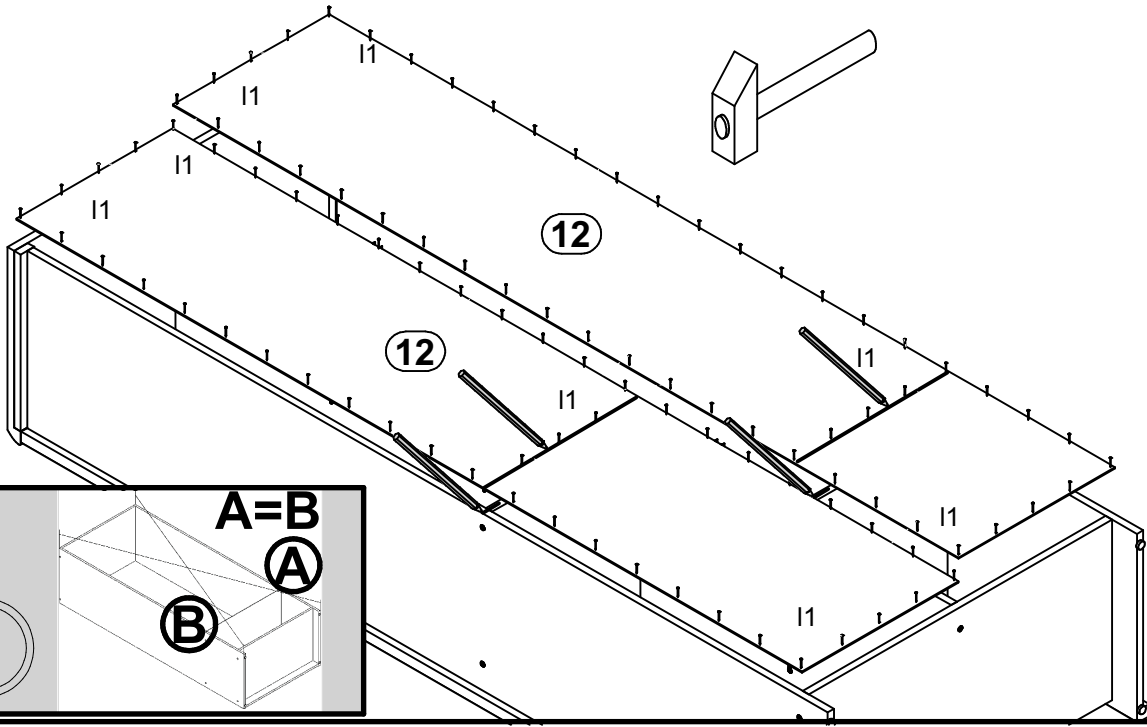
3



4



5



6

